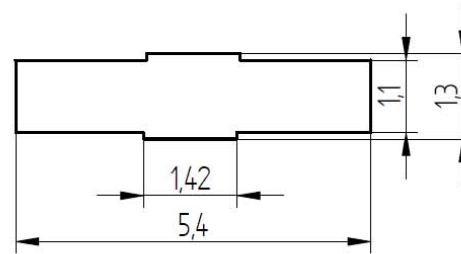
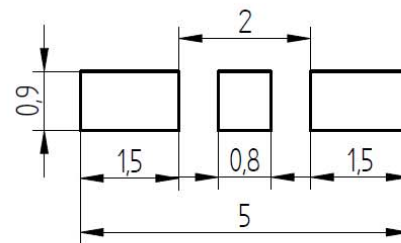


SCALE 15 / 1



RECOMMENDED PCB LAYOUT



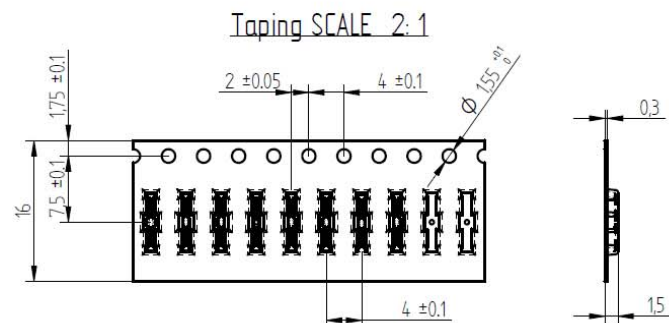
RECOMMENDED STENCIL LAY-OUT 0.1T

NOTES

1. AVAILABLE SHIELD CASE THICKNESS : 0.2+0.02-0
2. CONTACT RESISTANCE 300mmΩ MAX
3. STENCIL THICKNESS : 0.12T
4. Maintain 90°±3 while engage & disengage shield can & shield clip to prevent deformation & to maintain retention force of shield clip
5. MATERIAL : SUS301
6. MATERIAL THICKNESS :0.15t
7. FINISHED : Sn(100%) PLATING ON BOTH SIDE
(Ni0.5/μm Sn1.27/μm)
8. PACKING MATERIALS.
- REEL : HIPS 0.3t
- COVER TAPE : PS
- Q'TY/REEL : 10,000ea

9. INTENTION FORCE/RETENTION FORCE SPEC

	INTENTION FORCE	RETENTION FORCE
SPEC	MAX 1.2Kg	MIN 0.5Kg



 銓基電子股份有限公司
ROKI ELECTRONICS CO., LTD.

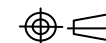
PART NAME : SHILED CLIP

SCALE :

PART NO : SC01-PF

UNIT : mm

TOLERANCE : 0~1±0.05/1~5±0.1/5~10±0.15



VER : R01